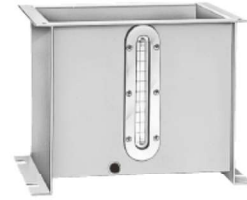


Metal reservoirs

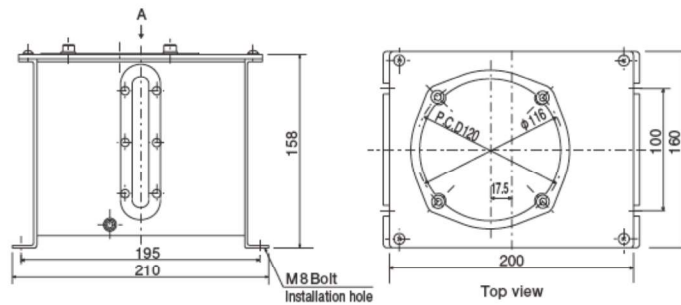
2 ℓ



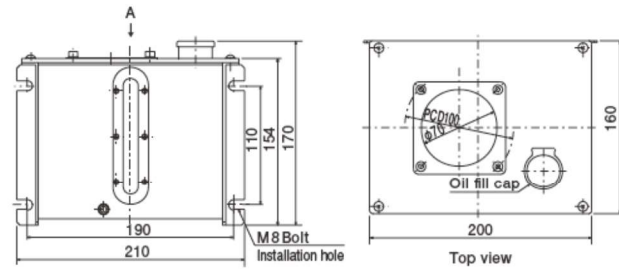
Model			
Applicable pump	Model	Part Number	Mounting
ACM-II, AM, ADM	T-20L-AF	104301	Foot
	T-20L-AB	104401	Back
AMI-300S, AMI-300	T-20L-HF	104303	Foot
	T-20L-HB	104301	Back
AMI-1000S, AMI-1000	T-20L-KF	104401	Foot
	T-20L-KB	104303	Back

● Material : SPCC Total capacity : 3.2L Useful capacity : 2.1L Coating color : Silver

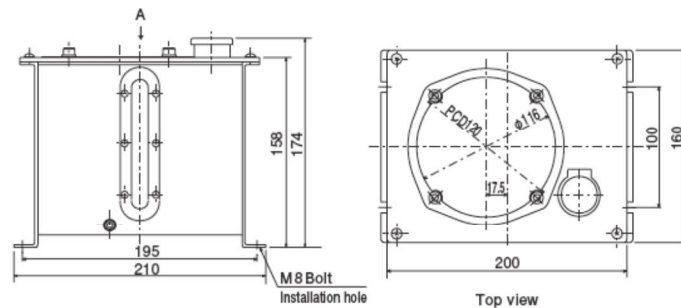
Dimensional drawing



[T-20L-AF] 104301



[T-20L-HB] 104403



[T-20L-KF] 104302

Reservoirs