

Resin reservoirs

3 ℓ

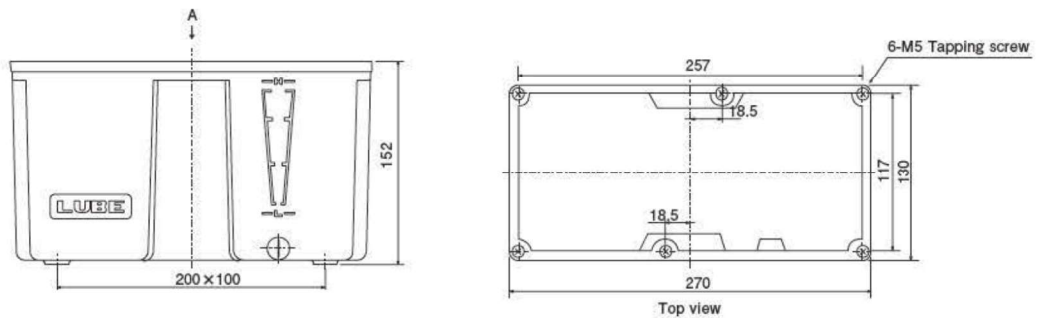


[T-30LP]

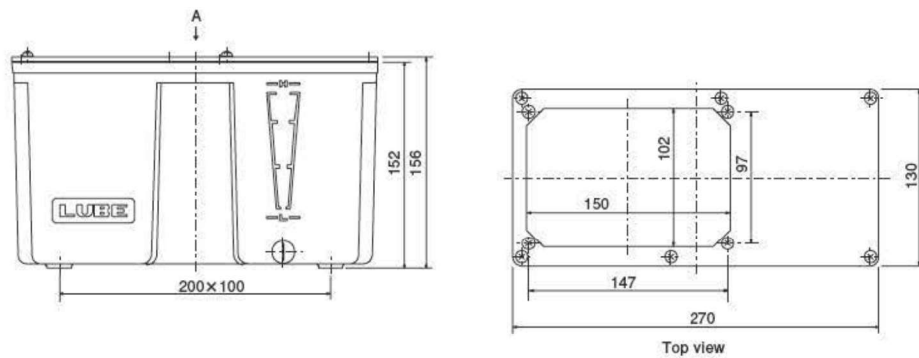
Model			
Applicable pump	Model	Part Number	Pump position
AMZ100S, AMO, MMXL-III, MMX-II, AMR-III-150	T-30LP	609006	—
	T-30LP-LX	104657	Left
	T-30LP-RX	104658	Right

●Material : Cellulose Acetate Useful capacity: 3L Total capacity: 4L

Dimensional drawing



[T-30LP] 609006



[T-30LP-LX] 104657