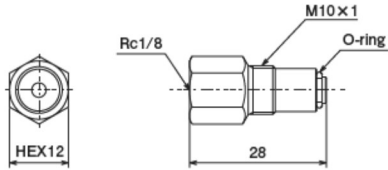


MU Valve Junctions & Special Fittings

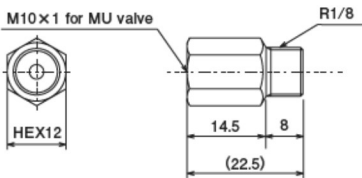


For MU small metering valve installation

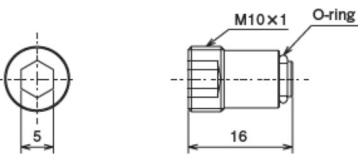
Dimensional drawing



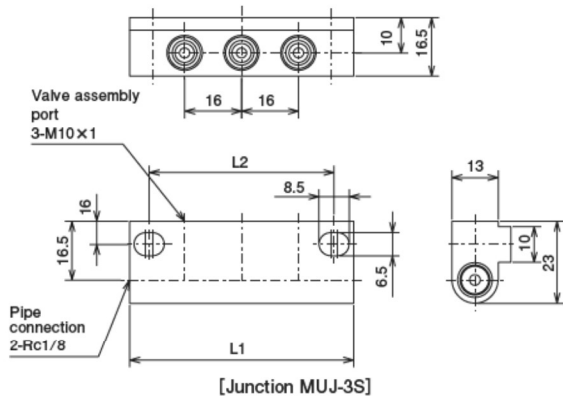
[Connector assembly]



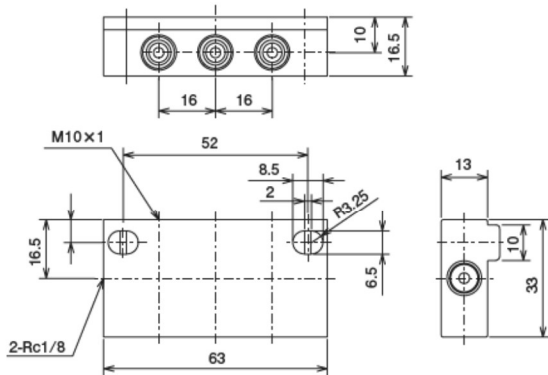
[Adapter]



[Plug assembly]



[Junction MUJ-3S]



[Junction MUJ-6D]

Model

Model	Part Number
MU-SC	619841

●Material: Brass (C3604)

Model	Part Number
MUA	611850

●Material: Brass(C3604)

Model	Part Number
MU-BP	619840

●Material: Steel (SUM24)

Model	Part Number	Specifilation	L ₁	L ₂
MUJ- 1S	216101	Single type for 1 port	31	20
MUJ- 2S	216102	Single type for 2 ports	47	36
MUJ- 3S	216103	Single type for 3 ports	63	52
MUJ- 4S	216104	Single type for 4 ports	80	68
MUJ- 5S	216105	Single type for 5 ports	96	84
MUJ- 6S	216106	Single type for 6 ports	112	100
MUJ- 7S	216107	Single type for 7 ports	128	116
MUJ- 8S	216108	Single type for 8 ports	144	132
MUJ- 9S	216109	Single type for 9 ports	160	148
MUJ-10S	216110	Single type for 10 ports	175	164

Model	Part Number	Specifilation	L ₁	L ₂
MUJ- 2D	216121	Double type for 2 ports	31	36
MUJ- 4D	216122	Double type for 4 ports	47	52
MUJ- 6D	216123	Double type for 6 ports	63	68
MUJ- 8D	216124	Double type for 8 ports	79	84
MUJ-10D	126125	Double type for 10 ports	95	100
MUJ-12D	216126	Double type for 12 ports	111	116
MUJ-14D	216127	Double type for 14 ports	127	132
MUJ-16D	216128	Double type for 16 ports	143	148

●Material: Aluminium (A6063S-T5)

Positive Displacement
Injector (PDI) System for
Small-Medium Machines