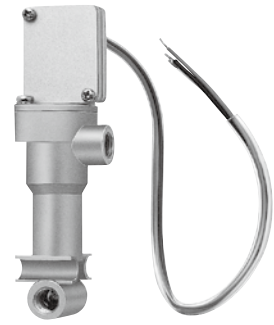


# Metering valve for grease with electronic performance monitoring

## MGLA

MGLA Valves are designed to be used with grease and incorporate the use of a Micro Switch to allow monitoring of the most critical lubrication points on the machine. They can be wired either normally open, normally closed or both to monitor both pressure rise and pressure relief. Can also be installed near the end of the main tubing to monitor integrity of main line tubing.



[MGLA]

### Specifications

<b>Discharge volume</b>	0.1, 0.2, 0.3, 0.5ml/stroke	
<b>Operating pressure</b>	2.5MPa	
<b>Reset pressure</b>	1.2MPa	
<b>Contact capacity</b>	AC125V 2A DC30V 2A	AC250V 2A

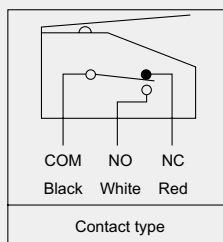
Material: Zinc Die Casting (ZDC)

### Model

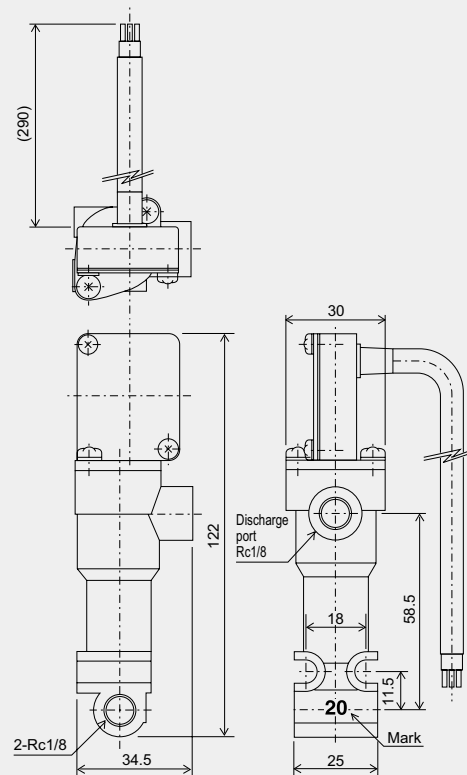
MGLA

Model	Part Number	Discharge volume (ml)	Mark
MGLA-10	205515	0.1	10
MGLA-20	205518	0.2	20
MGLA-30	205588	0.3	30
MGLA-50	205589	0.5	50

### Wiring diagram



### Dimensional drawing



[MGLA-20]

### Related parts



GMS-4-8P  
: P.49



EGM-10S-4-7C  
: P.51



EGH-3P  
: P.53



EGH-4C  
: P.53



GAS-8P  
: P.55



Pressure gauge  
: P.95



Main tubing  
: P.203



Branch tubing  
: P.203



Adapter assemblies  
: P.217



Compression parts  
: P.201



Adapters  
: P.207



KEN-T  
: P.220



KEN-M  
: P.220