

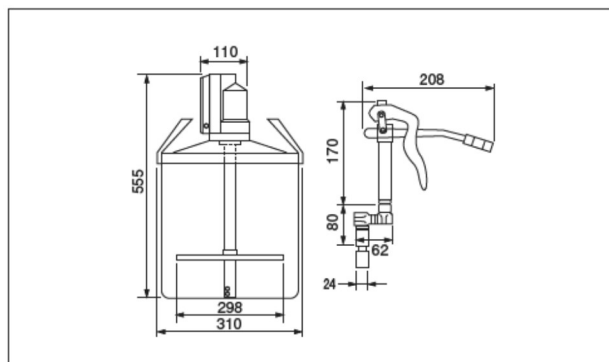
## Grease filler pump

### Pneumatic pump for pail



Grease can be filled in pneumatically.

#### Dimensional drawing



#### Specifications

Discharge volume	540ml/min
Discharge pressure	34.3MPa
Working air pressure	0.4~0.7MPa
Air consumption	315ℓ/min (ANA)
Grease capacity	16kg
PumpWeight	6kg

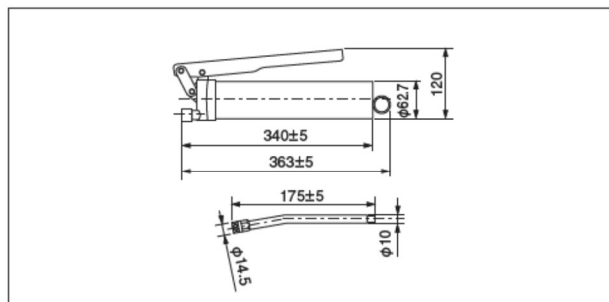
#### Model

Model	Part Number
P3-C	JC0005

### Hand Grease gun



#### Dimensional drawing



#### Specifications

Discharge volume	1.2ml/Stroke
Maximum pressure	40MPa
Grease capacity	400g
Weight	1.4kg

#### Model

Model	Part Number
LG-400	252422