

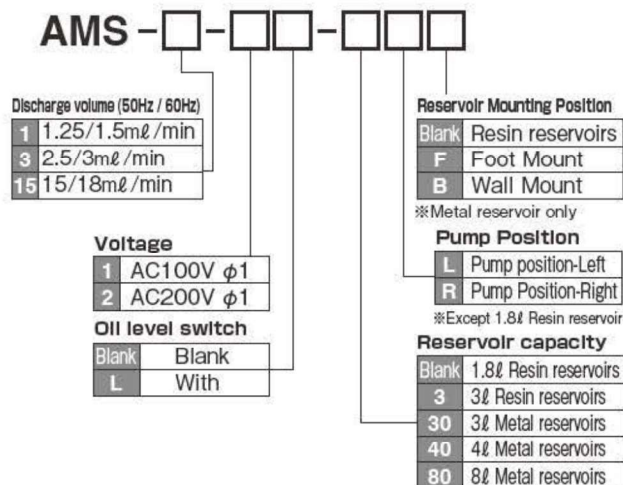
Automatic small discharge volume gear pump

AMS

Motor driven gear pump for continuous micro-volume lubrication used with a resistance type centralized lubrication equipment



HOW to order



Specifications

AMS-1, AMS-3		
Pump	Discharge volume	AMS-1: 1.25ml/min (50Hz) 1.5ml/min (60Hz) AMS-3: 1.25ml/min (50Hz) 1.5ml/min (60Hz)
	Discharge pressure	0.8MPa (safety valve setting)
Motor (Other voltages available.)	Power	AC100V φ1/50mA, AC200V φ1/25mA (50Hz) AC100V φ1/42mA, AC200V φ1/18mA (60Hz)
	Output	3W Synchronous Motor
Emergency detection	Oil level switch	Contact type A contact (NO) ON at low level Contact capacity 0.5A, AC DC200V/30W smaller
Operation rate	Continuous	
Working viscosity range	32~1300mm ² /S	
Reservoir capacity	0.8ℓ, 3ℓ (plastic) 3ℓ, 4ℓ, 8ℓ (sheet metal)	
Weight	1.8kg	

Directions for use

- Oil viscosity varies with oil temperature. Be sure to use oil within the working viscosity range. Refer to the viscosity table.
- Do not use any special additive-contained oil, water soluble oil and solvent.
- Periodically check the oil in the reservoir for impurities. Replace it, if necessary, with fresh oil immediately. Be sure to clean the reservoir before oil change.
- Make sure that proper voltage is applied.
- Do not over tighten the discharge joint. Refer to the tightening torque table.

※ Should the pump malfunction, contact us for immediate response with substitution.

● Related parts

